

# 7-074 Safety Quarter-Turn Pr20.1 L18

Tool operable, IP65, Stainless Steel, Vibration resistant, Optional pre-assembly



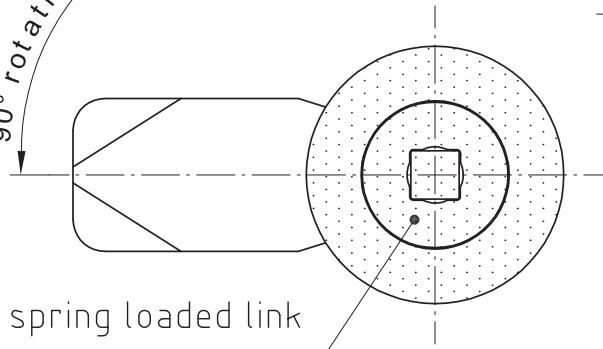
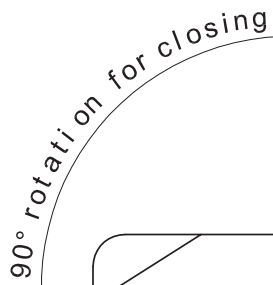
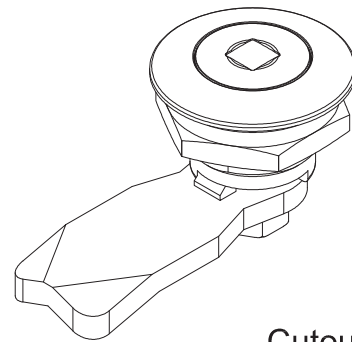
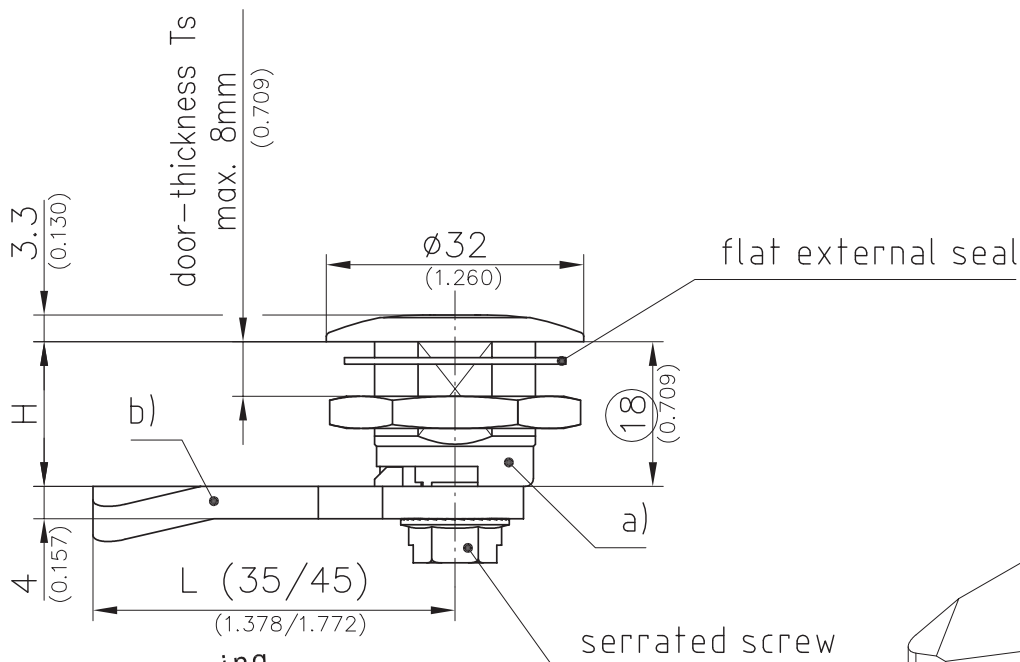
**Product Notes:**

- Low profile
- Vibration resistant
- Flush external surface
- Water and dust tight according to IP65, DIN EN 60529
- RH and LH application
- Pre-assembled Quarter-Turn can be installed in cutout
- Components can be pre-assembled by DIRAK upon request
- Zinc die - see Product System 1-085 and 1-085.01
- Tool-less installation - see Product System 1-085SL
- Other stainless steel - see Product System 7-075

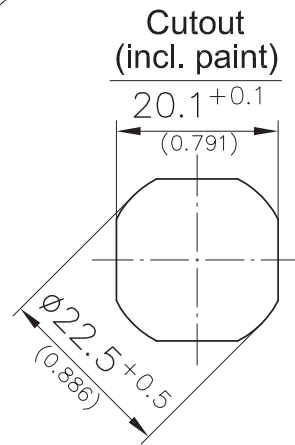
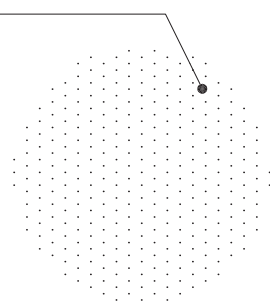
**Attention:** An assembled cam will have some axial play on the insert. This play is necessary to neutralize tipping of the insert at high compression forces. This tipping will squeeze the spring loaded link.

**Material:**

- **Housing, insert, spring loaded link and nut:** Stainless Steel AISI 303
- **O-Ring and flat seal:** NBR Perbunan
- **Serrated screw and spring:** Stainless Steel



closed surface



	Insert	Part No.	See Page
a) Safety Quarter-Turn	Square 6mm (0.236)	255-9427	
Other inserts on request.			
b) Cams			01.24